

EN



# SPARE PARTS CATALOGUE

## for AUTOTERM 30SP-24

**Manufacturer: AUTOTERM LLC**

Paleju 72, Marupe, Latvia, LV-2167

**Warranty Department** [warranty@autoterm.com](mailto:warranty@autoterm.com)

**Technical Support** [service@autoterm.com](mailto:service@autoterm.com)

[www.autoterm.com](http://www.autoterm.com)

This spare parts catalogue is intended for companies and individuals involved in installing, repairing, and maintaining liquid heaters AUTOTERM 30SP-24.

This catalogue consists of three sections:

1. Contents of the installation kit of the heater (Figure 1, Table 1)
2. Outer schematic of the heater's spare parts (Figure 2, Table 2)
3. Inner schematic of the heater's spare parts (Figure 3, Table 3)

If a part fails during use of the heater, look for its designation in this catalogue to order a replacement from the manufacturer.



To facilitate ordering, use the manufacturer's spare parts numbers in the tables below.

---

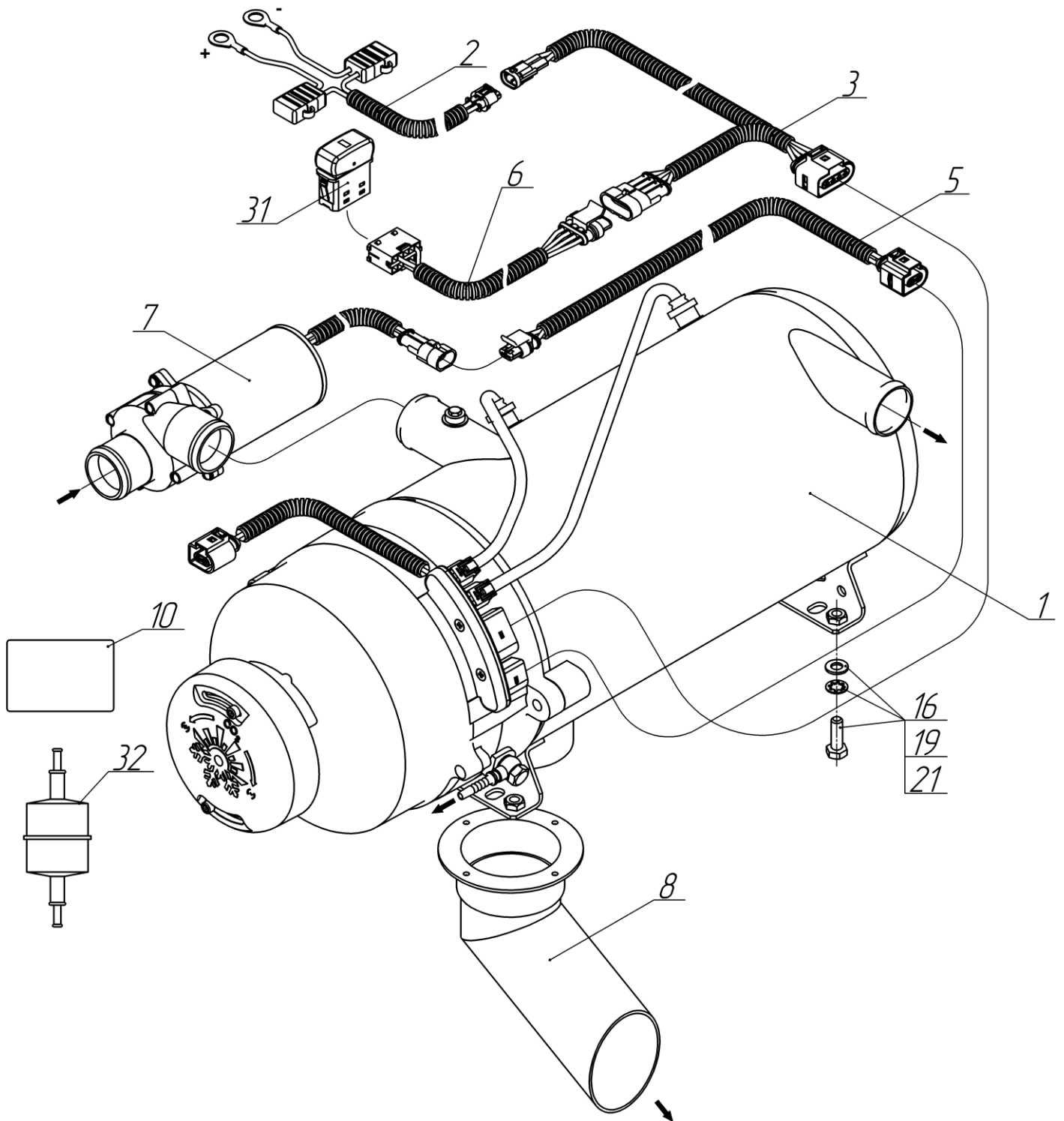


Figure 1 – Contents of the installation kit

Table 1

№	Part/assembly description and designation	Notes	30SP-24 ASSY 5135
	Pre-heater number		1
1	Heater		
	ASSY 5136		1
2	Power supply harness		
	ASSY 2017		1
3	Harness		
	ASSY 4676		1
5	Pump harness		
	ASSY 4652		1
6	Switch harness		
	ASSY 4696	l=18m	1
7	Liquid pump		
	ASSY 5675		1
	Bolt M6x20		4
	Nut M6		4
	Washer Ø6		4
	Lock washer 6		4
8	Exhaust pipe		
	ASSY 4763		1
10	Duplicate of label		
	p.5478		1
16	Bolt M8x25		4
19	Washer 8		4
21	Lock washer 8		4
31	Switch Φ5.3709.011-379 ПКл.13.151.24.3.о.		1
32	Fuel filter BIG FILTER GB 612		1

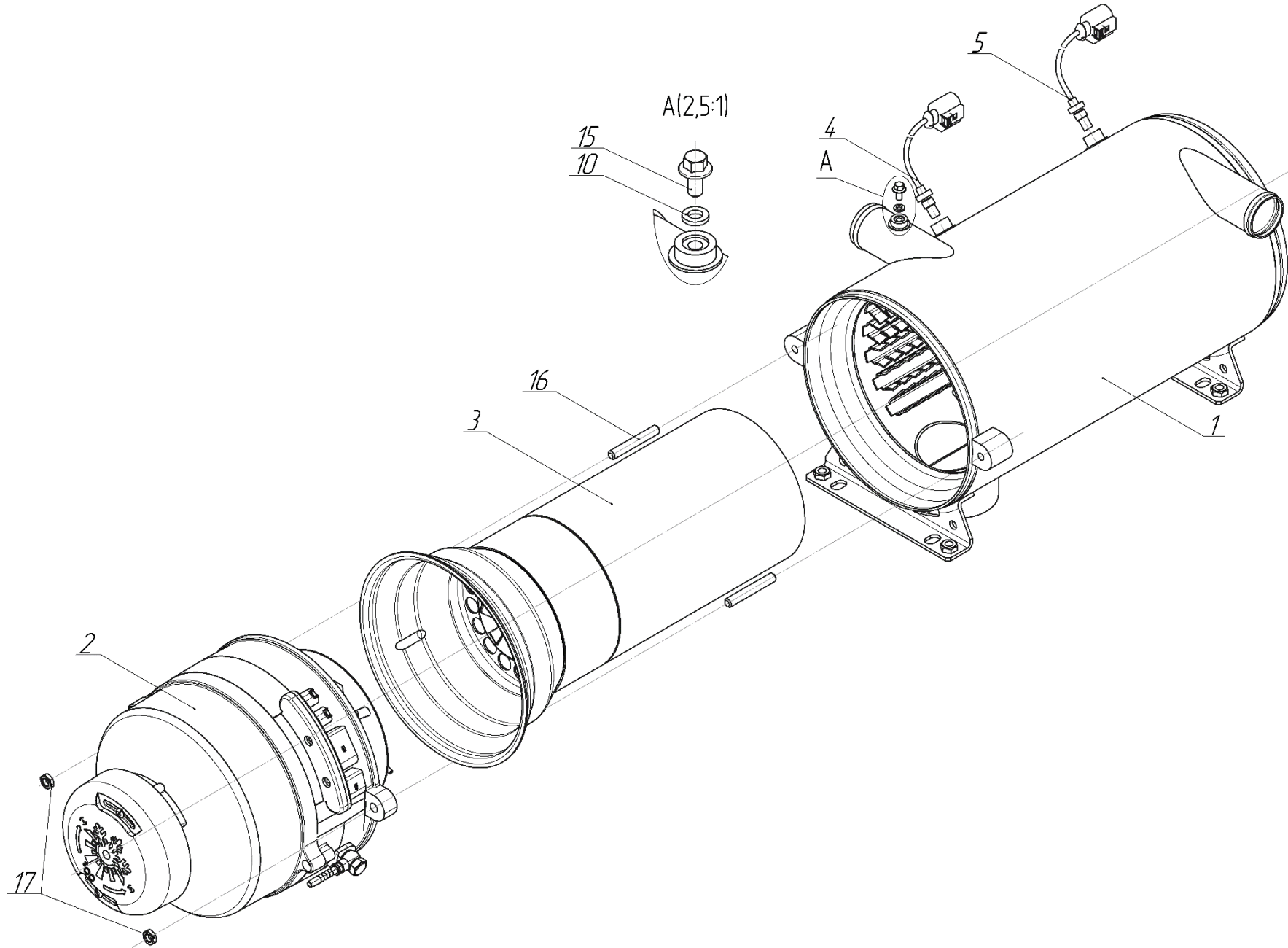


Figure 2 – Outer schematic of spare parts for the heater

Table 2

№	Part/assembly description and designation	Notes	ASSY 5136
	Heater number		1
1	Heat exchanger		
	ASSY 4457		1
2	Main burner unit		
	ASSY 4458		1
3	Combustion chamber		
	ASSY 4459		1
4	Temperature sensor		
	ASSY 4473		1
5	Overheat sensor		
	ASSY 4478		1
10	O-ring		
	p.1317		1
15	Bolt M5x10		1
16	Stud M8x45		1
17	Nut M8 DIN 6927		2

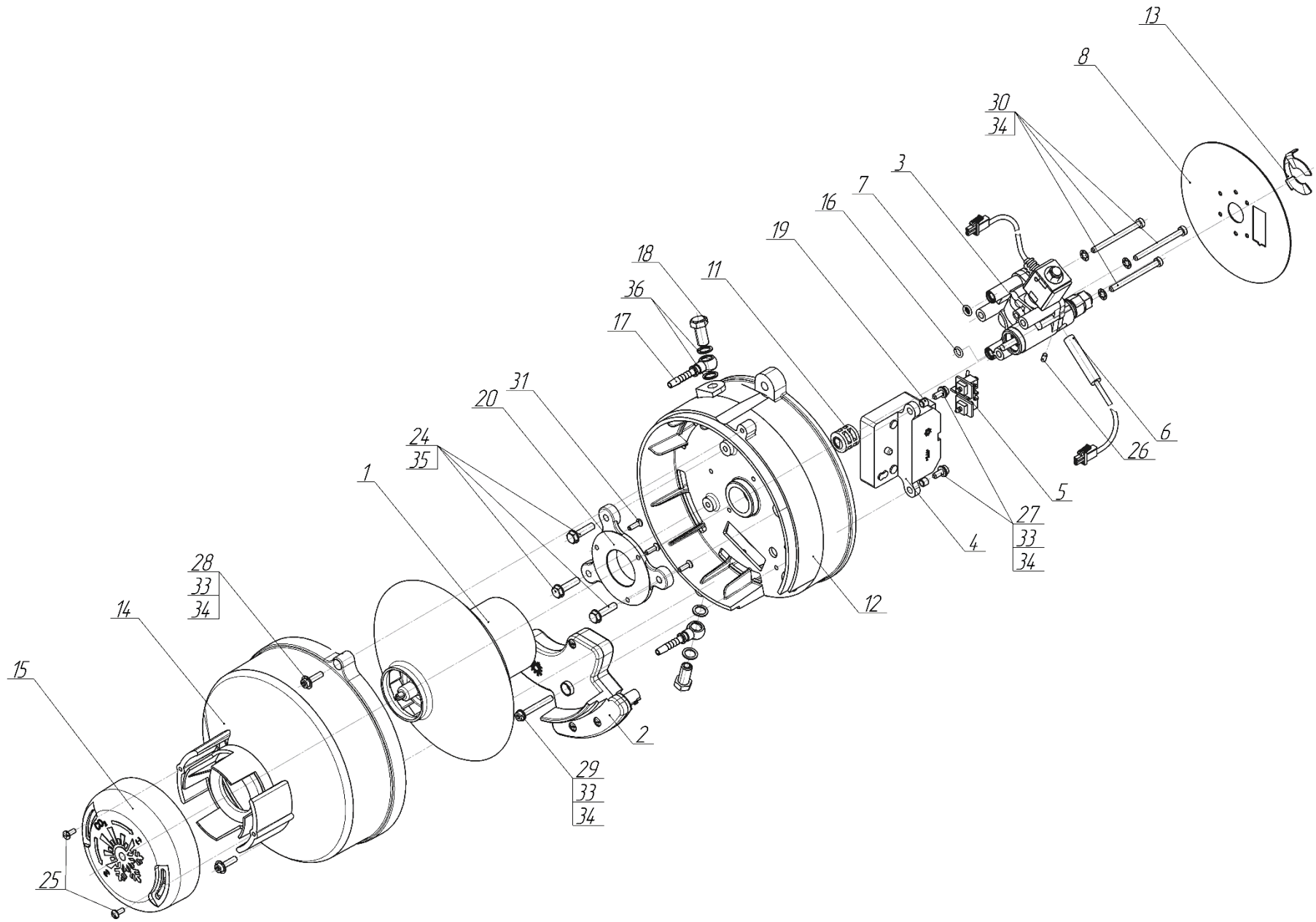


Figure 3 – Inner schematic of spare parts for the heater

Table 3

No	Part/assembly description and designation	Notes	ASSY 4458
	Number		1
1	Air pump		
	ASSY 4561		1
2	Control unit		
	ASSY 4677		1
3	Fuel pump		
	ASSY 4496		1
	ASSY 4584	Solenoid valve	1
4	Electronic ignition unit		
	ASSY 4466		1
5	Ignition electrode		
	ASSY 4628		1
6	Heating element		
	ASSY 4649		1
7	O-ring with filter		
	ASSY 4739		1
8	Disk		
	ASSY 4822		1
11	Coupling		
	p.4779		1
12	Adapter		
	p.4773		1
13	Lock washer		
	p.4916		1
14	Air pump cover		
	p.4994		1
15	Air intake		
	p.4995		1
16	O-ring		
	p.4722		1
17	Banjo fitting		
	p.5179		2
18	Bolt		
	p.5180		2
19	Sleeve		
	p.4910		2
20	Adapter		
	p.4862		1
21	Washer		
	p.5447		4
24	Bolt M6x20		3
25	Screw M3,5x13 DIN 7981		2
26	Screw M4x8 DIN916		1
27	Screw M5x12 DIN 912		2
28	Screw M5x20 DIN 912		2
29	Screw M5x40 DIN 912		1
30	Screw M5x60 DIN 912		3
31	Screw M4x14 DIN 965		3
33	Washer 5		5
34	Lock washer 5		8
35	Lock washer 6		3